

Wood's Powr-Grip® Lifting System

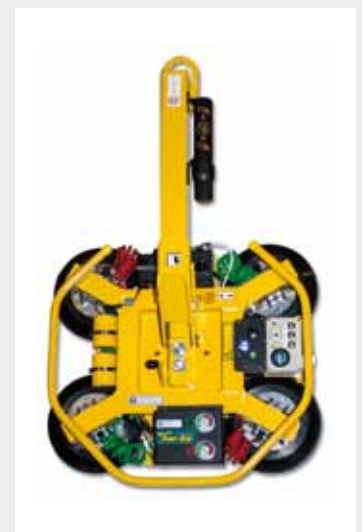
BO W32DA4

4 suction pads
320 kg



Specifications

- ✓ Ideally adjustable to different transport and installation requirements
- ✓ Compact, robust construction
- ✓ Different configurations possible
- ✓ For construction sites and workshops
- ✓ High holding capacity and great safety due to dual circuit vacuum system
- ✓ Independent of power supply
- ✓ High quality - proven for many years



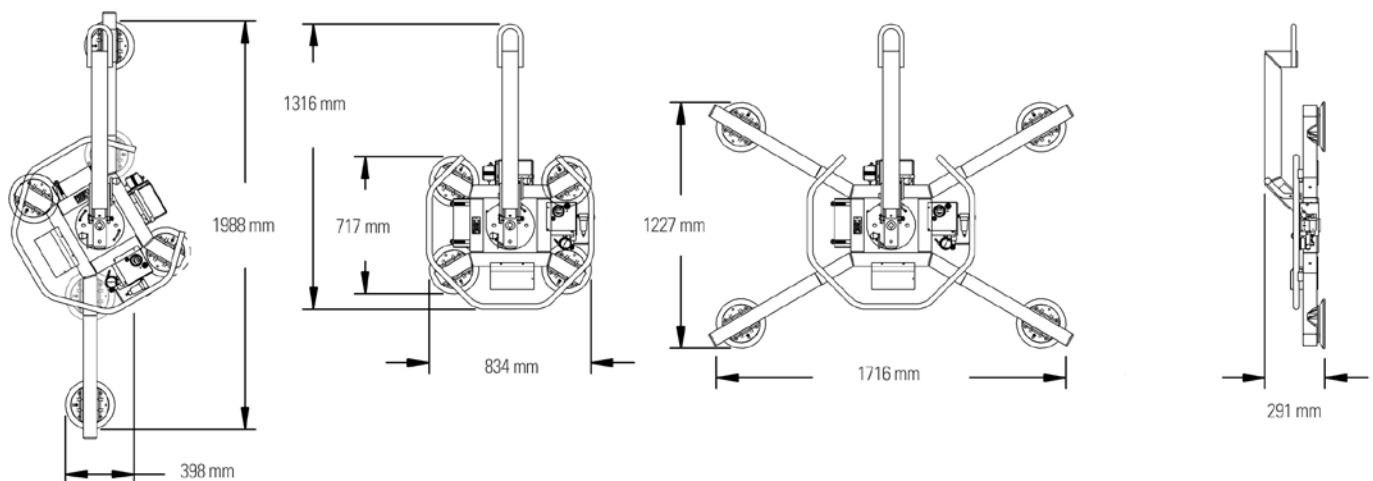
Compact-Configuration

Technical Data

Wood's Powr-Grip® Lifting System

Description	The Powr-Grip® lifting system MRT411LDC is suitable for use with cranes or other lifting equipment. The load is held by vacuum. The lifting system can manually be rotated by 360° and swiveled by 90°.
Suction pads	Diameter 28 cm, with sealing lip (model G3370), (four suction pads made of rubber, shore hardness 55, spring mounted with 7mm latitude, with filter)
Holding capacity	Calculated at -54 kPa on clean, flat, non-porous surface
Per suction pad	80 kg
Max.	320 kg
Weight of lifting unit	58 kg
Operating power	12 volts DC, 10 amps
Battery capacity	7 Ah
Rotating range	360° manual, with four locking points
Swiveling range	90° manual, lockable in vertical position
Vacuum pump	Membrane pump, 28 l/min
Dual circuit vacuum system	Should one vacuum circuit fail, the second circuit ensures that the nominal load of 320 kg is still held. Failure of a vacuum circuit is indicated optically/acoustically.
Vacuum tanks	Large vacuum tanks prevent an immediate vacuum loss, prolong pumping intervals and therefore increase the life time of the battery
Vacuum indication	The level of the vacuum is indicated on a scale of negative kPa
Warning of vacuum loss	A red warning lamp as well as a buzzer are activated until a sufficient vacuum level has been reached (higher than -54 kPa) which is necessary to lift the maximum load as well as when the pump is in operation to generate a higher vacuum during the lifting process.
Max. operating altitude	1.800 m ASL
Working temperatures	From 0° to +40° C
Life time	This lifting system has been constructed for a minimum of 20.000 cycles when used and maintained as intended. Exempted are suction pads, filter elements and other wear parts.
Art. No.	BO W32DA4

Dimensions:



Technical features are subject to change!